

## Fortix Lock Handle



- **Key-Specific Locking Cylinder** - Enhanced security



- **IP66 Environmental Protection** - Greater dust and water resistance (vs IP65)



- **Clear Direction Indication and dust cover as standard** - Supports intuitive, error-reducing operation + protection.



- **Robust** - Reduced flex and improved torque response
- **Range of optional functions**



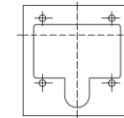
- **Integrated Gasket as standard** - Pre-installed for faster assembly, delivering a consistent reliable seal.



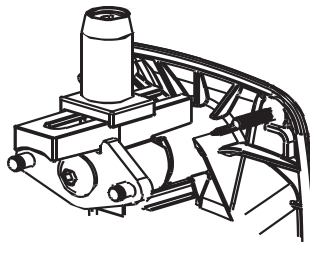
- **User-Friendly Padlocking Loop** - Larger, easier-to-access single loop, Glove-friendly.



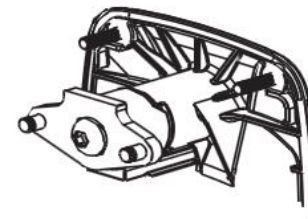
- **Fade Resistant** - Durable Polyamide Construction resists UV, chemicals, corrosion, and moisture



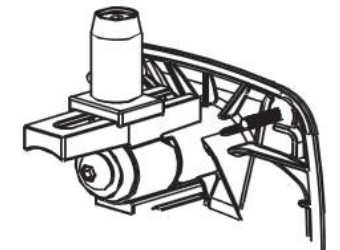
- **Standard Panel Cutout** - Standard Panel Cutout for ease of transition from existing product



Adjustable three-point roller cam



Fixed two-point cam



Adjustable single point roller cam

# Data Sheet

## Fortix Lock Handle

The Fortix Handle line is positioned as a premium, next-generation Drop-T handle system engineered for demanding industrial environments. It delivers a combination of superior security and durability, improved ergonomics, integrated IP66 environmental protection, and upgraded overall performance—setting a new benchmark in its class.

### Quality Testing

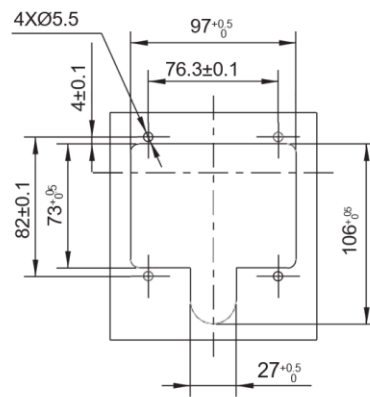
**Ingress Protection:** IP66; no water stains behind lock or inside cabinet

**Structural Load:**  $\geq 1500$  N ( $\approx 153$  kgf / 337 lbf) pass under locked/unlocked/upward pressure.

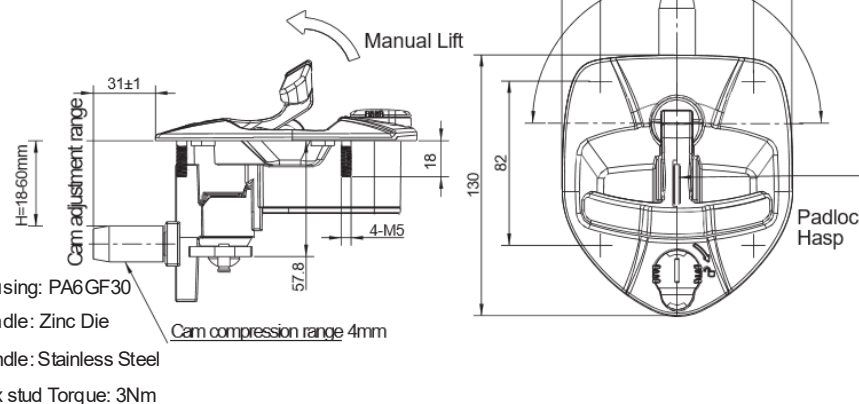
**Key/Cylinder Strength:** 3.4 N·m torsion without damage ( $\approx 30$  in-lbf).

**Lifecycle:** 20,000 operations normal function.

**UV Durability:** 1000h fluorescent UV; no significant color difference



Panel Cutout



Comply with the basic requirements of the New Approach to Technical Harmonization and Standardization of the European Union

Detection Standards for Hazardous Substances under Directive 2002/95/EC of the European Union

Safety Approval of Radio Frequency Devices by the Federal Communications Commission (FCC) of the United States



# Fortrix

**UES**  
hardware

1710 - B 1 - X X XX 1 - XX P

Water drop shape B

Function type

1 Handle doesn't pop-up and doesn't self lock

Handle rotation

1 180°  
\*2 90° Left  
\*3 90° Right

Cam type

1 Adjustable single point  
2 Fixed two-point  
3 Adjustable three-point

Cylinder type

10 Keyed alike 805  
20 Keyed alike CH751

Fixing type

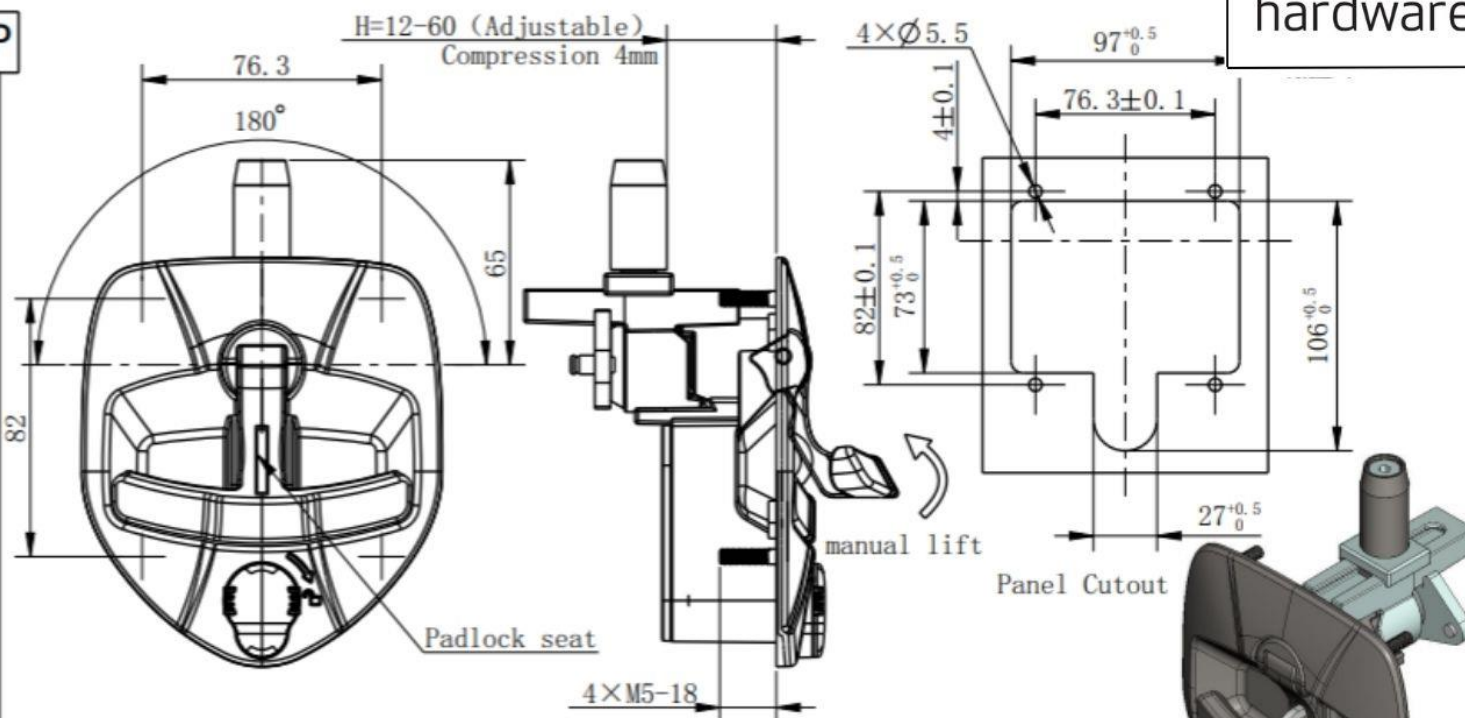
0 Perforated type (for riveting)  
1 With threaded studs M5

Handle material type

20 Zinc black textured powder coated  
\*34 SUS304 steel natural  
30 Bright Chrome

handle with padlock (optional)

Note: Items marked with \* are not currently available



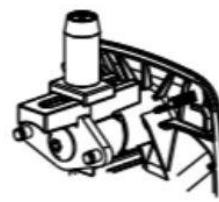
Adjustable single point roller cam



Fixed two-point cam



Adjustable three-point roller cam



Material & Finish

Housing: PA6GF30, black  
Handle: Zinc alloy, various finishes  
Shaft: SUS304 Stainless Steel, passivated  
Key head: PA6GF30, black  
Cam, Padlock: SUS304 Stainless Steel, passivated

Technical Specifications:

1. Protection level IP66

1710 - B 1 - X X XX 0 - XX P

Water drop shape B

Function type

1 Handle doesn't pop-up and doesn't self lock

Handle rotation

1 180°  
\*2 90° Left  
\*3 90° Right

Cam type

1 Adjustable single point  
2 Fixed two-point  
3 Adjustable three-point

Cylinder type

10 Keyed alike 805  
20 Keyed alike CH751

Fixing type

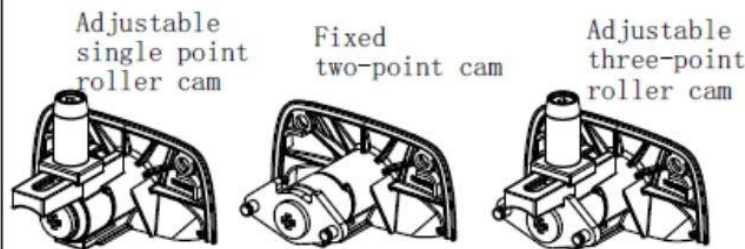
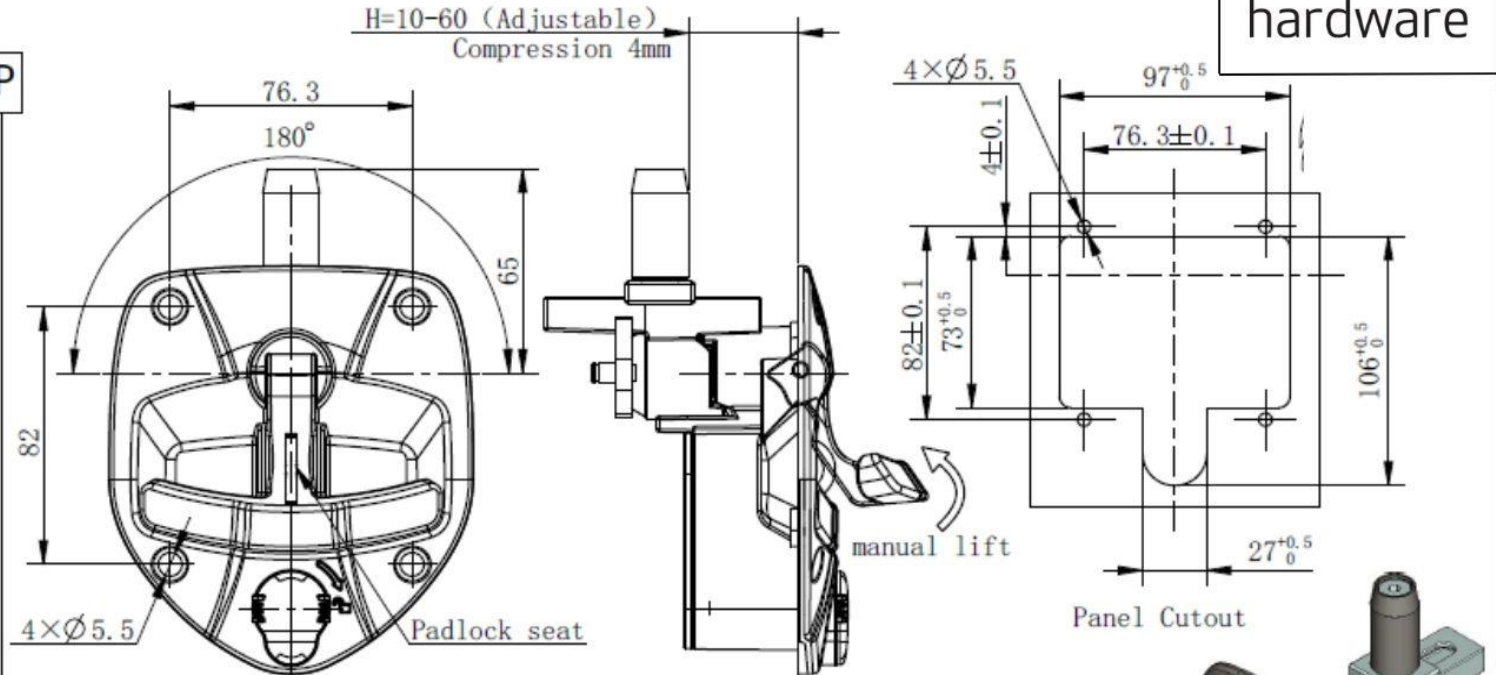
0 Perforated type (for riveting)  
1 With threaded studs M5

Handle material type

20 Zinc black textured powder coated  
\*34 SUS304 steel natural  
30 Bright Chrome

handle with padlock (optional)

Note: Items marked with \* are not currently available



Technical Specifications:

1. Latch protection level IP66\*

\* installation rivets will need to add O-rings

Material & Finish

Housing: PA6GF30, black

Handle: Zinc alloy, various finishes

Shaft: SUS304 Stainless Steel, passivated

Key head : PA6GF30, black

Cam, Padlock: SUS304 Stainless Steel, passivated